

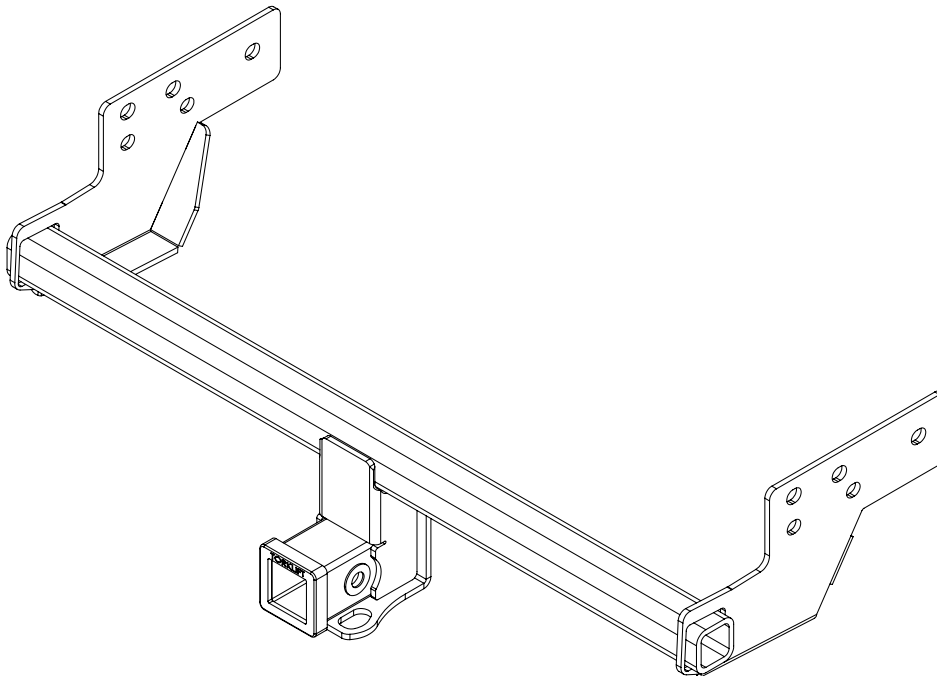


# Installation Instructions

Application Fits  
2014-2015 Mazda CX-9  
X7307 & X7308

2" & 1.25" EcoHitch Stealth

350 lb. Tongue Weight/ 3,500 lb. Towing Weight



Torklift Central  
315 Central Ave N  
Kent, WA 98032  
253-854-1832  
[www.torkliftcentral.com](http://www.torkliftcentral.com)  
[support@tlcentral.com](mailto:support@tlcentral.com)

## Stay Connected



torkliftcentral



torkliftcentral



tlcentral



torklift central



torklift central



*Bolt Kit Weight: 577g +/-*

*Hardware Included*

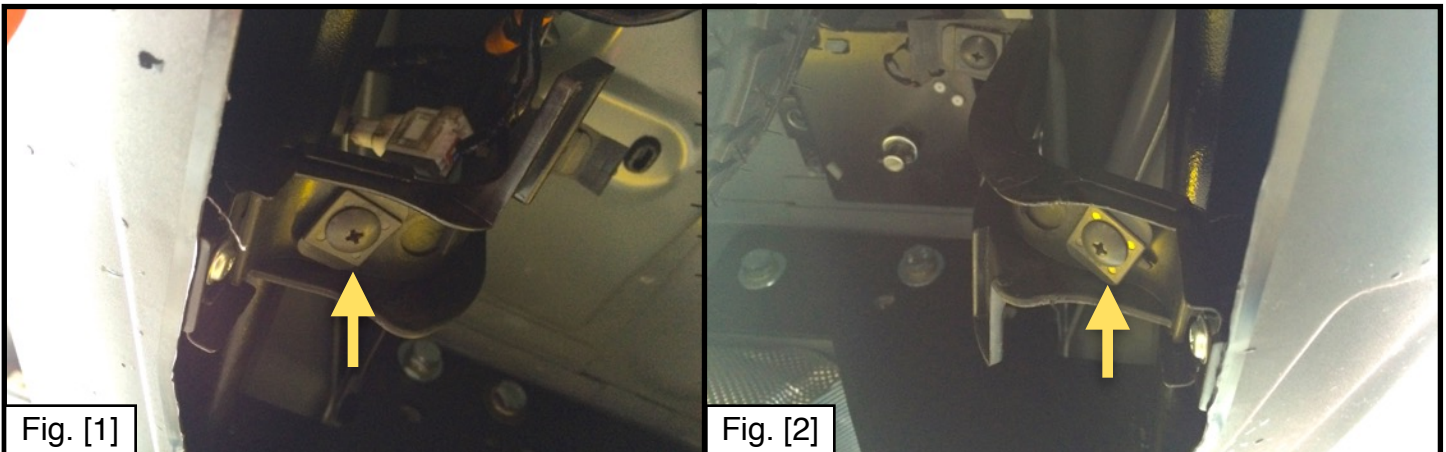
QTY Fastener

- 4 5/16" Flat Washer
- 4 5/16" Lock Washer
- 6 1/2" Flat Washer
- 6 1/2" Lock Washer
- 4 M8-1.25x40mm Hex Cap Screw
- 6 M12-1.25x40mm Hex Cap Screw
- 1 10" Trim-Lok

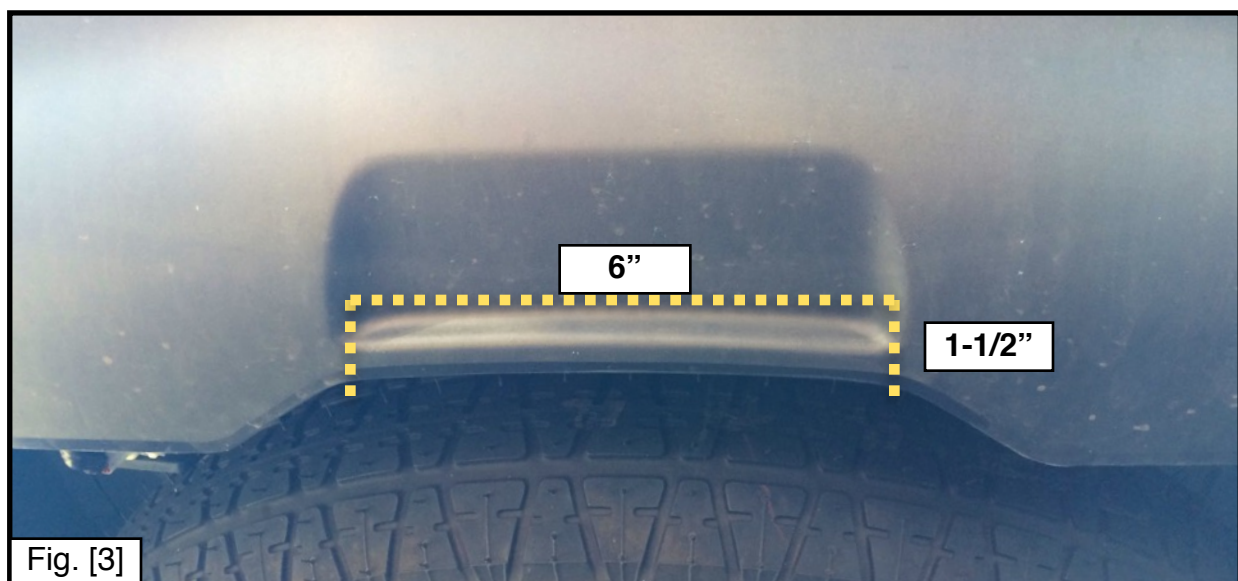
**READ THESE INSTRUCTIONS THOROUGHLY AND ACCOUNT FOR ALL HARDWARE LISTED BEFORE BEGINNING INSTALLATION!**

**Step 1.** Raise vehicle on suitable jack stands, ramps, or hoist.

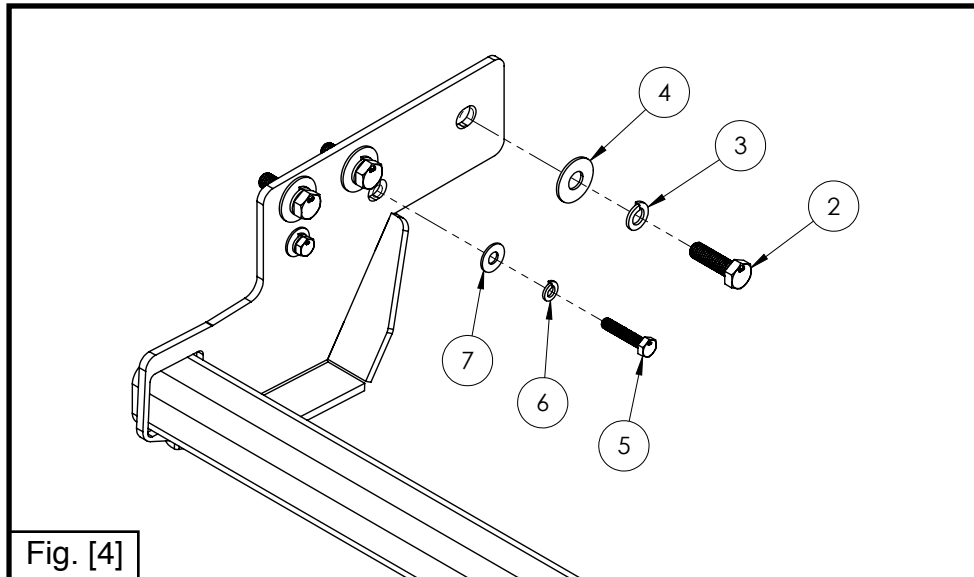
**Step 2.** Remove the lag screw from the bumper fastener near the center of the rear bumper. See Figure [1] & [2].



**Step 3.** Mark and trim a 6"x1-1/2" section at the center of the bumper and apply the Trim-Lok to the cut edge. Cut any excess. See Figure [3].



**Step 4.** Gently pull back the bumper fascia and raise the hitch into position on the inside of the frame rails. Line up the holes in the hitch frame plates with the weld nuts in the frame rails of the vehicle. Secure the hitch in place with (1) M12-1.25x40mm Hex Cap Screw, (1) 1/2" lock washer, and (1) 1/2" flat washer in each of the top weld nuts of the frame rail on the driver and passenger side. Place (1) M8-1.25x40mm Hex Cap Screw, (1) 5/16" lock washer, and (1) 5/16" flat washer in each of the bottom weld nuts in the frame rails. Once all the hardware has been hand tightened, torque the M12 hardware to 65 ft-lbs. and the M8 hardware to 18 ft-lbs.



**Step 5.** Reinstall the lag screws that were removed in Step 2.

**Congratulations on the completed installation of the Mazda CX-9 Stealth EcoHitch! It is designed with a lifetime warranty for a lifetime of enjoyment. If you have any questions or suggestions please contact our tech support at [support@tlcentral.com](mailto:support@tlcentral.com) or by phone at (253) 854-1832.**





# WARRANTY/DISCLAIMER INFORMATION

Torklift Central requires proof of purchase for warranty claim registration, with pictures of any defective product before issuing a replacement. Torklift will not accept claims on any product without proof of purchase, which can be faxed, scanned, emailed or mailed to the information provided below. Torklift Central warrants its hitches, custom hitch receivers and accessories (excluding electrical wire harnesses which carry a warranty from their specified manufacturer) from date of purchase against defects in material and workmanship under normal use and service for the ownership life of the original consumer purchaser. Torklift Central will replace free of charge any part that proves defective in material or workmanship when presented to Torklift Central, transportation charges prepaid by purchaser, at the address below. **This warranty is limited to defective parts replacement only. Labor charges and/or damage incurred in installation or replacement, as well as incidental and consequential damages connected therewith are excluded.** This warranty does not include normal wear and tear or the finish and paint. Rusting, cracking or peeling of the finish is also excluded. Some states do not allow the exclusion or limitation of incidental or consequential damages, so the above limitation or exclusion may not apply to you. Any damage to Torklift Central products as a result of misuse, abuse, neglect, accident, improper installation or any use violative of instructions furnished by Torklift Central will void the warranty. This warranty gives you specific legal rights and you may also have rights, which vary from state to state. With warranty service, you may be able to go to a small claims court, a state court or a federal district court.

Although Torklift Central trailer hitches are both tested and rated for towing within the specific capacity label found on each trailer hitch. Torklift Central assumes no liability for vehicle manufacturers warranty due to the use of a Torklift Central trailer hitch being used for towing behind any vehicle or using the trailer hitch in a manner that it was not designed for. Although this specific trailer hitch has a load rating, which includes trailer tongue weight, and a trailer weight carrying capacity, Torklift Central is not responsible for the voiding of any warranty on any vehicle due to factory towing limitations. All vehicle warranties are the sole property and responsibility of the owner of the vehicle that the Torklift Central trailer hitch is installed upon. Torklift Central does not endorse towing behind any vehicle if the vehicles manufacturer states that towing is not recommended. Check your vehicle's owner's manual for the proper tow rating of your vehicle.

**ADDRESS:** 315 Central Ave N. Kent, WA 98032

**\*WARNING\*** Your vehicle may have a lower tow rating than this trailer hitch. If your vehicle's tow rating is less than the rated towing capacity on your Torklift Central trailer hitch, your trailer hitch capacity is limited to your vehicle's factory rated towing capacity.

**FOR EXAMPLE:** the label on your Torklift Central trailer hitch states it's capacity is rated for 500 pounds tongue weight and 5,000 pounds towing weight. However your vehicle's factory rated towing capacity is limited to only 350 pounds tongue weight and 3,500 pounds towing weight. In this example your maximum towing capacity of your Torklift Central trailer hitch is limited to 350 pounds tongue weight and 3,500 pounds towing weight as stated by your vehicle's maximum factory tow rating.

**\*DANGER\*** Never exceed your vehicle's manufacturer's recommended towing capacity which may be a lower rating than this trailer hitch

Unsure of your tow rating? Download our towing app from the app store to find your vehicles tow rating.  
[www.torkliftcentral.com/app.php](http://www.torkliftcentral.com/app.php)